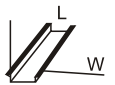


DIODE MODULE

Features

- Available in 10A/20A.
- With Screw Terminals, Spring Terminals on request.
- Mountable on Universal DIN Rail.



TECHNICAL INFORMATION

GENERAL DATA

Number of Channels / Pins	1
Ambient operating temperature	0°C to 50°C
Signal mode	Redundant

DIODE DATA

	10A	20A
Redundant current	10A	20A
Diode part number	1 No MBR20100CT	2 No MBR20100CT
Peak repetitive reverse voltage (V_{RRM}) Working peak reverse voltage (V_{RWM}) DC blocking voltage (V_R)		100V
Average rectified forward current (Rated VR, TC=133°C (I_{FRM}))		10A
Peak repetitive forward current (Rated VR, Square Wave, 20kHz, TC=133°C (I_{FRM}))		20A

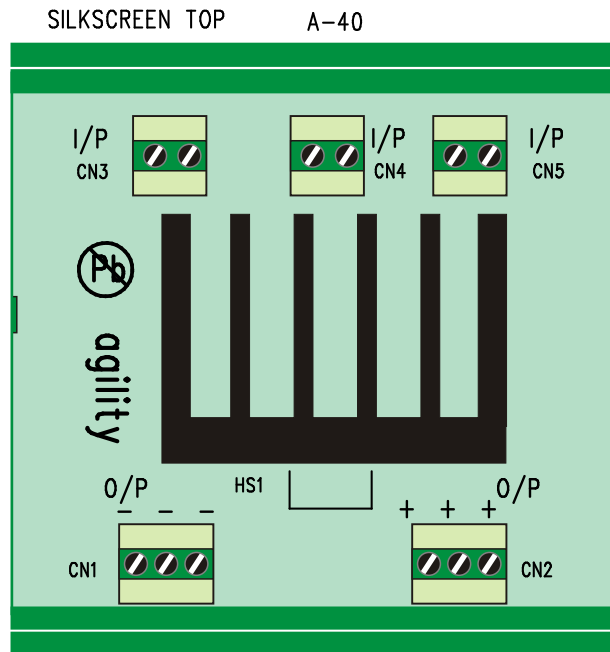
CONNECTION DATA

Input side	PCB Terminals Screw (Nominal current: 24A, Rated voltage: 250V, Type of connection: Screw connection)
Output side	PCB Terminals Screw (Nominal current: 24A, Rated voltage: 250V, Type of connection: Screw connection)
Cross section of permissible wire	Solid Min/Max: 0.2/4.0 mm ² Stranded Min/Max: 0.2 / 2.5 mm ²
Make	Phoenix Contact or equivalent

ORDERING INFORMATION

O-Ring Diode 10A			O-Ring Diode 20A		
Article Nos.	Descriptions	Dimension LxWxH (mm)	Article Nos.	Descriptions	Dimension LxWxH (mm)
11100134	AE-PM-DOM10A	68 x 90 x 70	11100135	AE-PM-DOM20A	82 x 90 x 75

Layout Diagram of AE-PM-DOM10A



Connection Diagram of AE-PM-DOM10A

