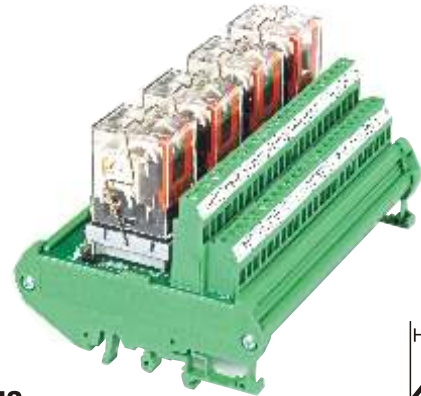


## FOUR CHANGE OVER - AC & DC COIL VOLTAGE

### Features

- Available in 1/2/4/8 Channels.
- Coil Voltage 12/24V DC & 110/230V AC.
- Switching Current 3A at 30V DC/ 250V AC.
- Freewheeling Diode across relay coil for protection.
- Jumpers are provided for selection between positive/negative looping.
- LED indication to denote relay actuation.
- Available with pluggable relays.
- Available with Hermetically Sealed Relay on request.
- Mountable on Universal DIN Rail.



### TECHNICAL INFORMATION

#### GENERAL DATA

Number of Channels	1/2/4/8 channels other than specified available on request.
Positive/Negative looping	By using jumper caps, remove all jumper caps to make relay independent
Input indication	3 mm green LED for input status
Relay protection	Free wheeling diode 1N4007 across relay coil
Relay Socket	Paramount or equivalent
Ambient operating temperature	0°C to 50°C
Housing material	PVC/V0 Grade, Phoenix Contact or equivalent
Housing color	Green
Conformal coating	Insulate, protect and seal electronic parts, available on request
RoHS compliant	All the components used including PCBs are RoHS approved

#### RELAY COIL DATA

Rated coil voltage	12V DC	24V DC	100V AC/ 110V AC	220V AC/ 240V AC
Coil resistance (Ohms)	165	662	3750	18790
Rated coil current (mA)	72.7	36.3	11.7/12.9	4.8/5.3
Must operate voltage	80% max. of rated voltage			
Must release voltage	10% max. of rated voltage		30% max. of rated voltage	
Maximum voltage	110% at 23°C			
Power consumption AC (VA Approx.) DC (mW Approx.)	0.9	0.9	0.9 to 1.1	0.9 to 1.1
Other coil voltages	12V/24V AC & 110V DC are available on request			

#### RELAY DATA

Relay make	OMRON MY4 Series, Relay other than OMRON make available on request
Contact type	4 C/O (4PDT)
Relay approvals	

#### RELAY CONTACT DATA

Contact material	Ag-alloy (Cd free)
Rated current (Resistive) (Inductive)	3A at 250V AC & 3A at 30V DC 0.8A at 250V AC & 1.5A at 30V DC
Maximum switching voltage	250V AC, 220V DC
Contact resistance	50mOhm max.
Operate time	20 ms max.
Release time	20 ms max.
Insulation resistance	100M Ohm min.
Di-electric strength between coil & contact	2000V AC, 50/60 Hz for 1 min
Maximum mechanical operating frequency	18000 operation/hour
Maximum electrical operating frequency	1800 operation/hour (under rated load)
Mechanical life expectancy	50,000,000 operations min. for AC coil 100,000,000 operations min for DC coil
Electrical life expectancy	200,000 operations min. (At max. Operations frequency & max. Load current)

#### CONNECTION DATA

Input (Coil) Side	PCB Terminals Screw (Nominal current: 24A, Rated voltage: 250V, Type of connection: Screw connection)
Output (Contact Side)	PCB Terminals Screw (Nominal current: 22A, Rated voltage: 250V, Type of connection: Screw connection)
Cross section of permissible wire	Solid Min/Max: 0.2/4.0 mm <sup>2</sup> Stranded Min/Max: 0.2 / 2.5 mm <sup>2</sup>
Make	Phoenix Contact or equivalent

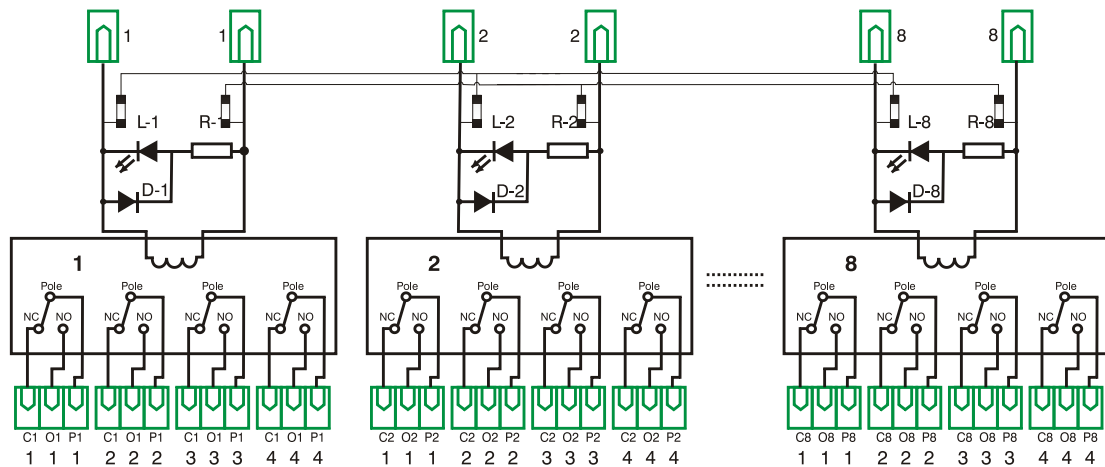
### ORDERING INFORMATION

4C/O 24V DC			4C/O 12V DC		
Article Nos.	Descriptions	Dimension LxWxH (mm)	Article Nos.	Descriptions	Dimension LxWxH (mm)
11100011	AE-01-024D-4-B	35 x 90 x 75	11100026	AE-01-012D-4-B	35 x 90 x 75
11100012	AE-02-024D-4-B-C	67 x 90 x 75	11100027	AE-02-012D-4-B-C	67 x 90 x 75
11100013	AE-04-024D-4-B-C	132 x 90 x 75	11100028	AE-04-012D-4-B-C	132 x 90 x 75
11100014	AE-08-024D-4-B-C	259 x 90 x 75	11100029	AE-08-012D-4-B-C	259 x 90 x 75

4C/O 230V AC			4C/O 110V AC		
Article Nos.	Descriptions	Dimension LxWxH (mm)	Article Nos.	Descriptions	Dimension LxWxH (mm)
11100104	AE-01-230A-4-B	35 x 90 x 75	11100089	AE-01-110A-4-B	35 x 90 x 75
11100105	AE-02-230A-4-B-C	67 x 90 x 75	11100090	AE-02-110A-4-B	67 x 90 x 75
11100106	AE-04-230A-4-B-C	132 x 90 x 75	11100091	AE-04-110A-4-B	132 x 90 x 75
11100107	AE-08-230A-4-B-C	259 x 90 x 75	11100092	AE-08-110A-4-B	259 x 90 x 75

#### Connection Diagram of AE-08-024D-4-B-C



#### Connection Diagram of AE-08-230A-4-B

