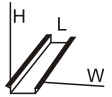
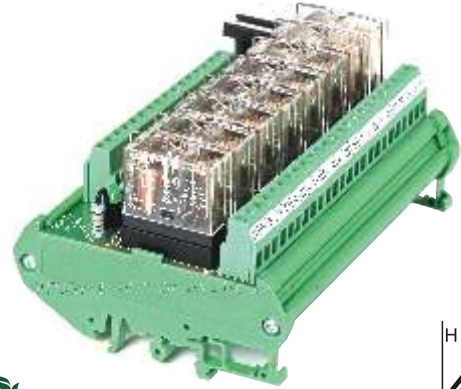


ONE CHANGE OVER - DC COIL VOLTAGE (WITH G2R RELAY)

Features

- Available in 1/2/4/6/8/16 Channels.
- Coil Voltage 5/12/24/48/110V DC.
- Switching Current 10A at 30V DC/ 230V AC.
- Freewheeling Diode across relay coil for protection.
- Jumpers are provided for selection between positive/negative looping.
- LED indication to denote relay actuation.
- Available with pluggable relays, directly soldered on request.
- Available with fully sealed relay on request.
- Mountable on Universal DIN Rail.



TECHNICAL INFORMATION

GENERAL DATA

Number of Channels	1/2/4/6/8/16 channels other than specified available on request.
Positive/Negative looping	By using jumper caps, remove all jumper caps to make relay independent
Input indication	3 mm green LED for input status
Relay protection	Free wheeling diode 1N4007 across relay coil
Relay Socket	Paramount or equivalent
Ambient operating temperature	0°C to 50°C
Housing material	PVC/V0 Grade, Phoenix Contact or equivalent
Housing color	Green
Conformal coating	Insulate, protect and seal electronic parts, available on request
RoHS compliant	All the components used including PCBs are RoHS approved

RELAY COIL DATA

Rated coil voltage	12V DC	24V DC	48V DC	100V DC
Coil resistance (Ohms)	275	1100	4170	18860
Rated coil current (mA)	43.6	21.8	11.5	5.3
Must operate voltage	80% max. of rated voltage			
Must release voltage	30% max. of rated voltage			
Maximum voltage	140% at 23°C			
Power consumption (mW Approx.)	530	530	530	530

RELAY DATA

Relay make	OMRON G2R Series, Relay other than OMRON make available on request
Contact type	1 C/O (SPDT)
Relay approvals	

RELAY CONTACT DATA

Contact material	Ag-alloy (Cd free)
Rated current (Resistive) (Inductive)	10A at 250V AC / 30V DC 7.5A at 250V AC/5A at 30V DC
Maximum switching voltage	380V AC, 125V DC
Contact resistance	30mOhm max.
Operate time	15 ms max.
Release time	DC: 5 ms max. & AC: 10 ms max.
Insulation resistance	1000 M Ohm min.
Di-electric strength between coil & contact	5000V AC, 50/60 Hz for 1 min
Maximum mechanical operating frequency	18000 operation/hour
Maximum electrical operating frequency	1800 operation/hour (under rated load)

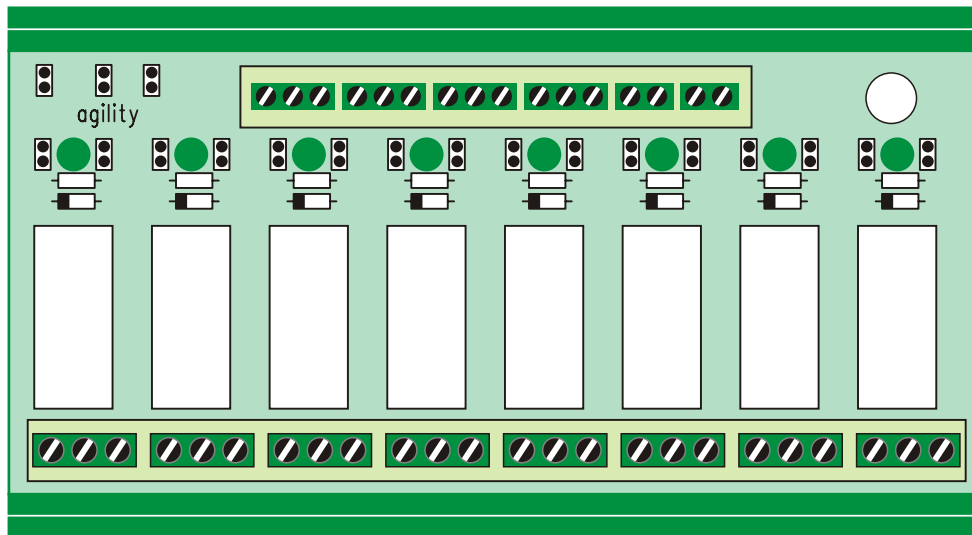
CONNECTION DATA

Input (Coil) Side	PCB Terminals Screw (Nominal current: 24A, Rated voltage: 250V, Type of connection: Screw connection)
Output (Contact Side)	PCB Terminals Screw (Nominal current: 24A, Rated voltage: 250V, Type of connection: Screw connection)
Cross section of permissible wire	Solid Min/Max: 0.2/4.0 mm ² Stranded Min/Max: 0.2 / 2.5 mm ²
Make	Phoenix Contact or equivalent

ORDERING INFORMATION

1 C/O 24V DC			1 C/O 24V DC		
Article Nos.	Descriptions	Dimension LxWxH (mm)	Article Nos.	Descriptions	Dimension LxWxH (mm)
11100001	AE-01-024D-1-B(G2R)	21 x 90 x 68	11100016	AE-01-012D-1-B(G2R)	21 x 90 x 68
11100002	AE-02-024D-1-B-C(G2R)	36 x 90 x 68	11100017	AE-02-012D-1-B-C(G2R)	36 x 90 x 68
11100003	AE-04-024D-1-B-C(G2R)	66 x 90 x 68	11100018	AE-04-012D-1-B-C(G2R)	66 x 90 x 68
11100004	AE-08-024D-1-B-C(G2R)	128 x 90 x 68	11100019	AE-08-012D-1-B-C(G2R)	128 x 90 x 68
11100005	AE-16-024D-1-B-C(G2R)	252 x 90 x 68	11100020	AE-16-012D-1-B-C(G2R)	252 x 90 x 68

Layout Diagram of AE-08-024D-1-B-C(G2R)



Connection Diagram of AE-08-024D-1-B-C(G2R)

