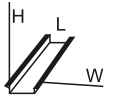
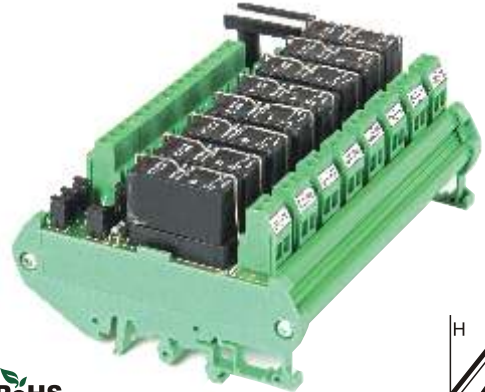


SOLID STATE RELAY MODULES - DC INPUT & DC/AC OUTPUT

Features

- Available in 1/2/4/8/16 Channels.
- Input Voltage 3-32V DC.
- Output Voltage 3-50V DC/24-280V AC.
- Rated Current 5A for DC/ 3A for AC.
- Freewheeling Diode for protection.
- Jumpers are provided for selection between positive/negative looping.
- LED indication to denote relay actuation.
- Available with pluggable relays, directly soldered on request.
- Mountable on Universal DIN Rail.



TECHNICAL INFORMATION

GENERAL DATA

Number of Channels	1/2/4/8/16 channels other than specified available on request.
Positive/Negative looping	By using jumper caps, remove all jumper caps to make relay independent
Input indication	3 mm green LED for input status
Relay protection	Free wheeling diode 1N4007 for polarity protection
Relay Socket	Paramount or equivalent
Ambient operating temperature	0°C to 50°C
Housing material	PVC/V0 Grade, Phoenix Contact or equivalent
Housing color	Green
Conformal coating	Insulate, protect and seal electronic parts, available on request
RoHS compliant	All the components used including PCBs are RoHS approved

RELAY INPUT DATA

Rated coil voltage	24V DC
Minimum voltage	3V DC
Maximum voltage	32V DC
Input maximum current	15.3 mA (for DC output) 17.3 mA (for AC output)

RELAY DATA

Relay make	Agility or equivalent
Contact type	DC
Relay approvals	CE

CONNECTION DATA

Input (Coil) Side	PCB Terminals Screw (Nominal current: 24A, Rated voltage: 250V, Type of connection: Screw connection)
Output (Contact Side)	PCB Terminals Screw (Nominal current: 24A, Rated voltage: 250V, Type of connection: Screw connection)
Cross section of permissible wire	Solid Min/Max: 0.2/4.0 mm ² Stranded Min/Max: 0.2 / 2.5 mm ²
Make	Phoenix Contact or equivalent

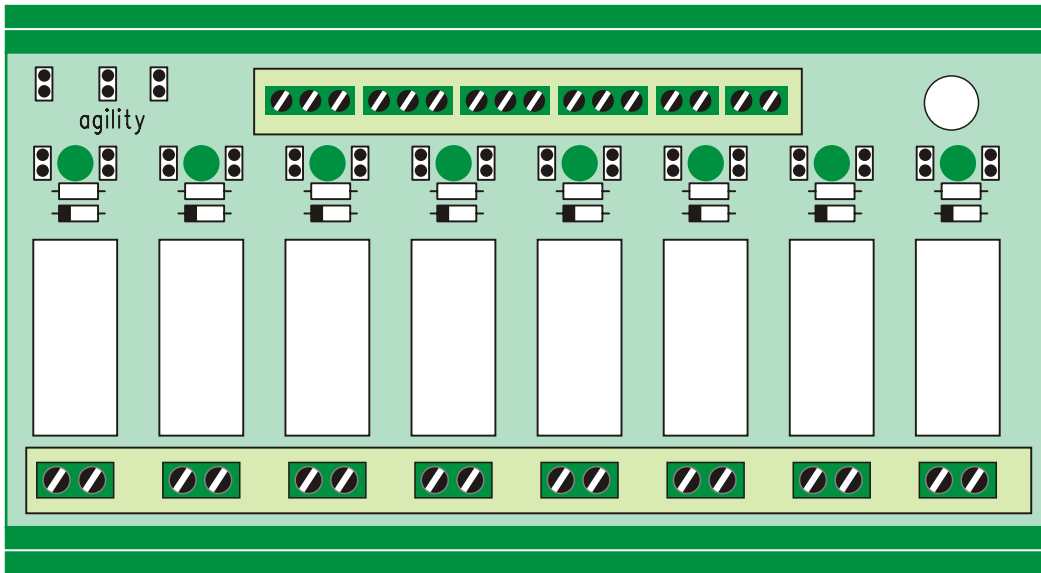
RELAY OUTPUT DATA

Nominal operating voltage	24V DC	240V AC
Minimum operating voltage	3V DC	24V AC
Maximum operating voltage	50V DC	280V AC
Minimum load current	5A	3A
Maximum turn on time	100 µs	½ cycle
Maximum turn off time	960 µs	½ cycle
Input/Output isolation voltage	2500 V	
SSR output type	MOSFET	TRIAC

ORDERING INFORMATION

Pluggable SSR module with Input Indication having DC Output			Pluggable SSR module with Input Indication having AC Output		
Article Nos.	Descriptions	Dimension LxWxH (mm)	Article Nos.	Descriptions	Dimension LxWxH (mm)
11100353	AE-S-01-024D-024D-B-C	21 x 90 x 60	11100351	AE-S-01-024D-230A-B-C	21 x 90 x 60
11100270	AE-S-02-024D-024D-B-C	36 x 90 x 60	11100271	AE-S-02-024D-230A-B-C	36 x 90 x 60
11100309	AE-S-04-024D-024D-B-C	66 x 90 x 60	11100272	AE-S-04-024D-230A-B-C	66 x 90 x 60
11100303	AE-S-08-024D-024D-B-C	128 x 90 x 60	11100273	AE-S-08-024D-230A-B-C	128 x 90 x 60
11100300	AE-S-16-024D-024D-B-C	252 x 90 x 60	11100299	AE-S-12-024D-230A-B-C	252 x 90 x 60

Layout Diagram of AE-S-08-024D-024D-B-C



Connection Diagram of AE-S-08-024D-024D-B-C

